

Venice Mini Surface Mounted

DOWNLIGHT

Product code MD04SM

mondolux.com.au

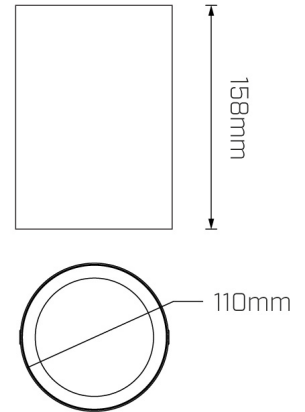
MONDOLUX™

Installation Manual



Notes

- This fitting requires 100-240V AC/50HZ power input to the driver.
- Do not interchange any parts of this fitting.
- A minimum distance of 75mm is required around the fitting to allow for air ventilation.
- Allow a minimum distance between fitting and illuminated subject of 800mm.
- Do not touch fitting when in use.
- Do not install any inductive loads such as exhaust fans etc. within the same lighting circuit of the current fitting. Issues caused by such connections will not be covered under our warranty policy.
- If you have any questions about the installation of this product, please contact Mondolux.



Installation Steps

1. Ensure the mains power is turned off.
2. Drill 2 holes into the ceiling and fit hanging plate using the screws. See picture 1.
3. Install the canopy to the ceiling with screws.
4. Connect the input wires according to the fixture wiring diagram. See picture 2.
5. Screw the fixture into the canopy. See picture 3.
6. Installation is complete. See picture 4.

