

Installation Manual

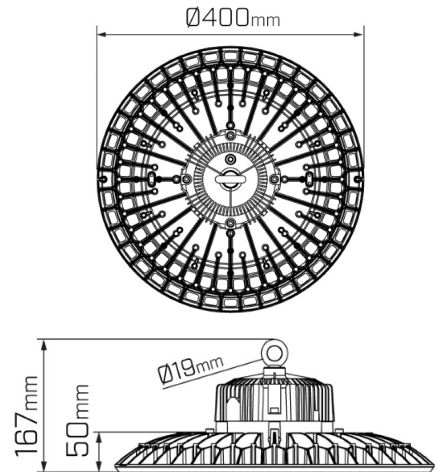


Notes

1. Product must be installed in accordance with the current regulations and electrical codes of Australia and all wiring must be done by a qualified electrician.
2. These products are designed for connection to a 180-305V AC 50/60Hz supply.
3. Any broken or damaged parts should be replaced as soon as possible.
4. Always disconnect power before installation or servicing.
5. Mondolux will not accept responsibility for any claims arising from a poor installation.

Installation Steps

1. Make sure you have all the tools and accessories required to complete the installation correctly.
2. Screw the circular ring securely into the luminaire. See picture 1.
3. Insert and secure the hanger hook into the installation carrier (ceiling of the facility). See picture 2.
4. Hang one end of the safety chain (not supplied) on to the hanger hook from the ceiling. See picture 2.
5. Adjust the safety chain to specified length.
6. Click and lock the other end of the safety chain into the luminaire's circular ring to complete the installation. See picture 3.
7. Connect the mains input cable as indicated in below diagram using a suitable connector/ junction box to maintain the IP rating of the connection.
8. Installation is complete.



Wiring Instructions

180 - 305VAC 50/60Hz / Class I

Note: Class I products must always be Earthed/Grounded

