

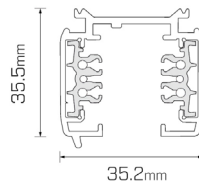
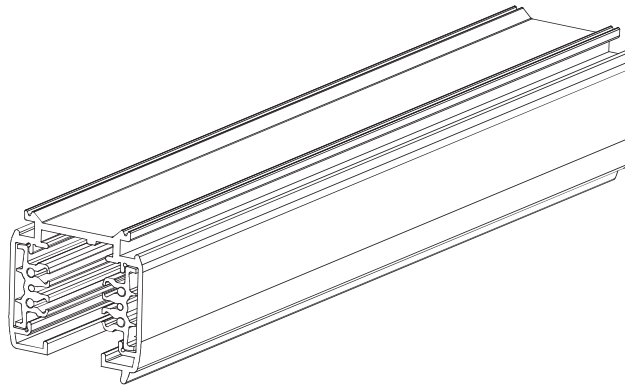
Power Track DALI Suspended/Surface Mounted Installation Manual

Prior to Installation

Please read and understand all cautions, warnings, instructions and product labels before installing the track system.

Warning

- ▶ System rating: 400V/16A 3-phase (11KW) or 1-phase 3 circuit 230V/16A (3x3.7 KW)
- ▶ FOR INDOOR USE ONLY and in dry and dust free spaces. System is rated IP20.
- ▶ Do NOT electrically or physically overload system.
- ▶ Use only products intended for operation in this track or compatible.
- ▶ Never force the adaptor into a position or connection. Excessive force is normally an indication of other problems.
- ▶ All electrical connections power feeding the track must be carried out as fixed installation.
- ▶ All dimensios in mm if not stated.
- ▶ Shall only be installed by authorized installer.
- ▶ NEVER power supply the track at more than one connection point!



Power Track DALI

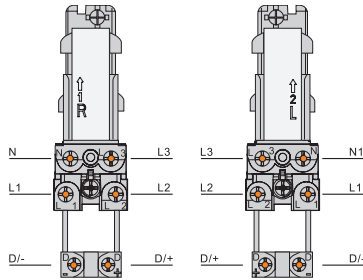
TRACK

Product code MK04

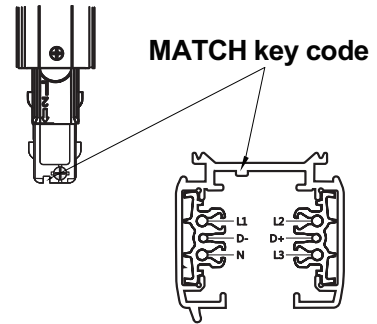
mondolux.com.au

MONDOLUX™

Suspended/Surface Mounted Installation Manual



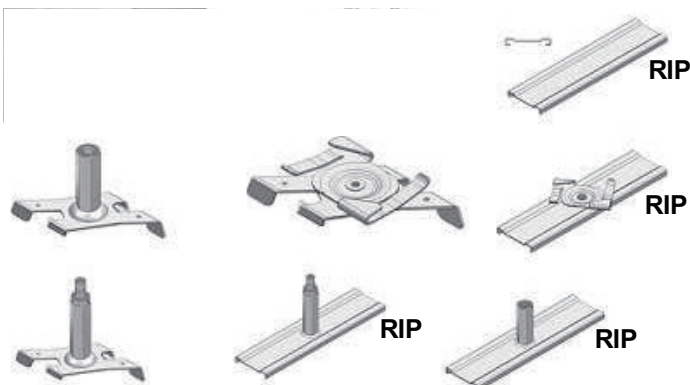
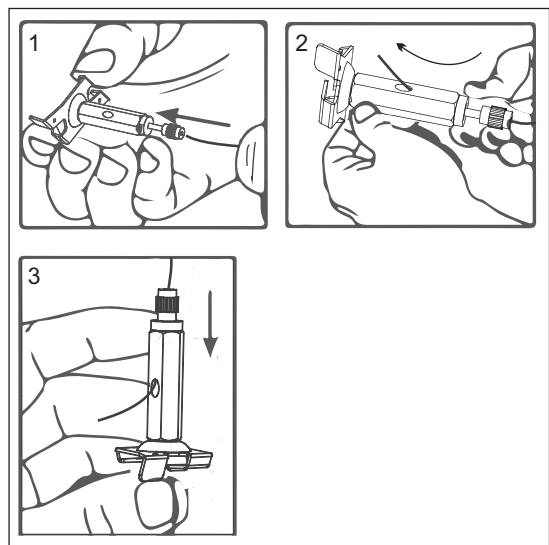
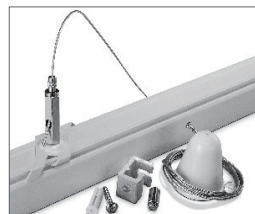
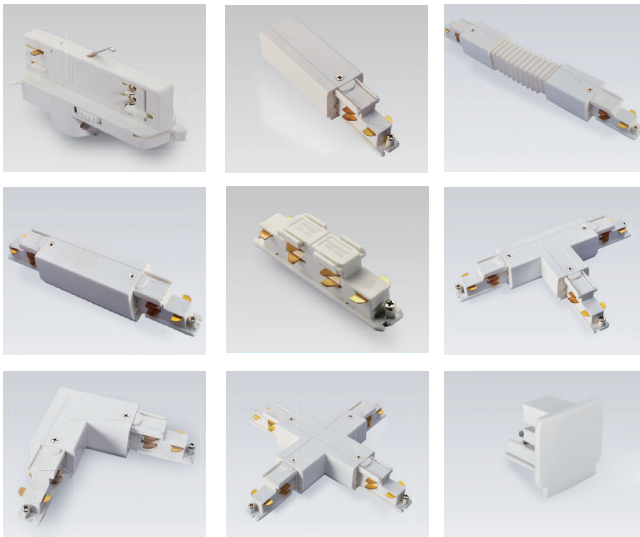
Wire connection mode: L=Brown, N=Blue
D1, D2 DALI Signal Wires. Power wire size: 1.5mm



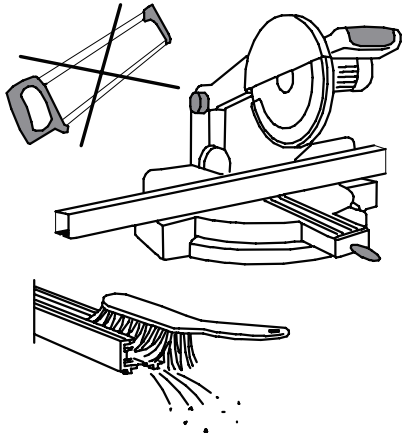
Remember, only feed at one point on a system!

Never leave a open end, always use an end cap to cover it - part marked x1

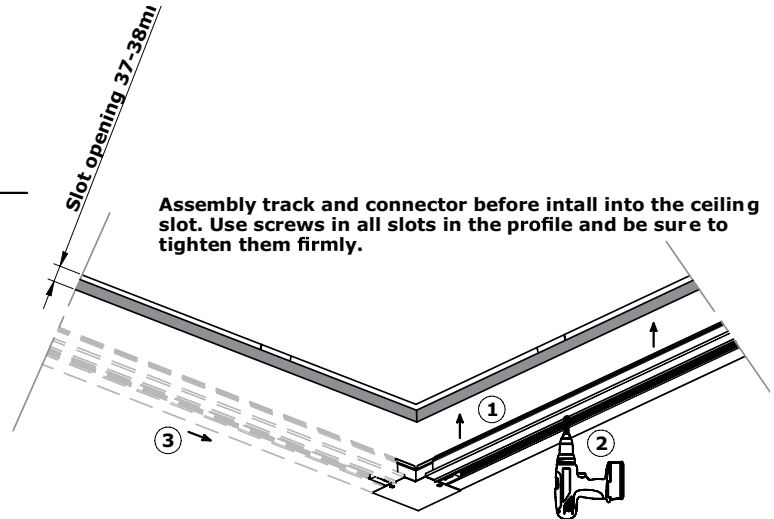
Accessories marked RIP are intended to be used on suspended tracks to re-inforce the joints. Not needed for surface mounted systems.



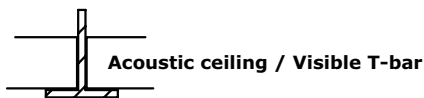
Suspended/Surface Mounted Installation Manual



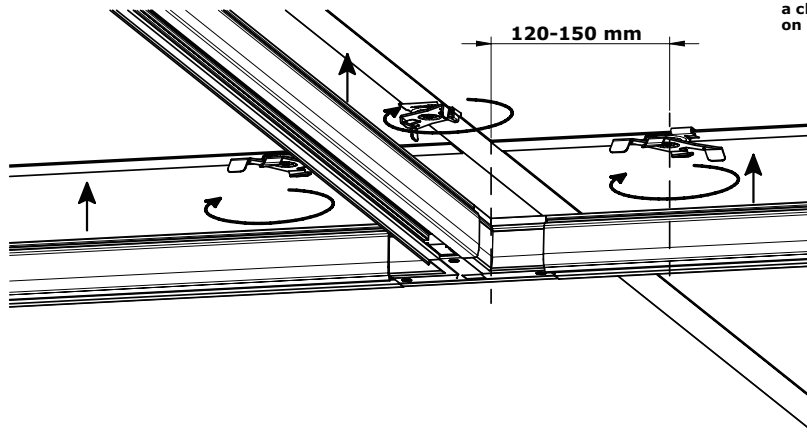
Cut track to correct length and clean the cutted edge accurate.



Assembly track and connector before intall into the ceiling slot. Use screws in all slots in the profile and be sure to tighten them firmly.



Acoustic ceiling / Visible T-bar



Support the track where a connector is being used closed to the connection point. Aim for a close distance to the end of track as described on image.

Suspended systems

When using a mini joiner always use an RIP bracket. Type depends on installation needs.

