

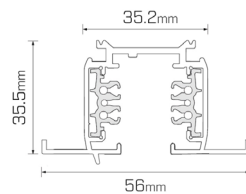
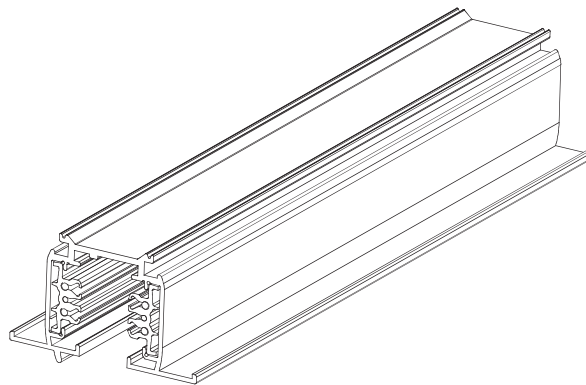
## Power Track DALI Recessed Installation Manual

### Prior to Installation

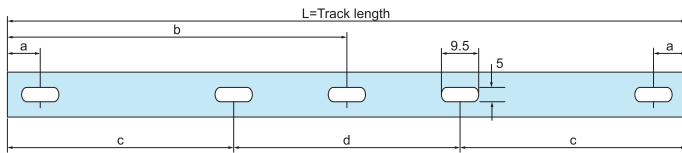
Please read and understand all cautions, warnings, instructions and product labels before installing the track system.

### Warning

- ▶ System rating: 400V/16A 3-phase (11KW) or 1-phase 3 circuit 230V/16A (3x3.7 KW)
- ▶ FOR INDOOR USE ONLY and in dry and dust free spaces. System is rated IP20.
- ▶ Do NOT electrically or physically overload system.
- ▶ Use only products intended for operation in this track or compatible.
- ▶ Never force the adaptor into a position or connection. Excessive force is normally an indication of other problems.
- ▶ All electrical connections power feeding the track must be carried out as fixed installation.
- ▶ All dimensios in mm if not stated.
- ▶ Shall only be installed by authorized installer.
- ▶ NEVER power supply the track at more than one connection point!



## Recessed Installation Manual



L / mm	a / mm	b / mm	c / mm	d / mm
1000	125			
2000	125	998		
3000	125		914	1167
4000	125		1247	1501

Not supplied by Mondolux

Use drilling screws for metal brackets and metal/wooden screws for softer materials. Dimension the size of the screw to support the load. Use screws in all punched slots and tighten them firmly. Maximum screw head 8mm

Match the key code in the feeder to the track.

Route the cable through the cable entry. Remember: This installation must comply with the requirements for fixed installation. Suggest using the wire of H05VV-F 3G1.5 mm<sup>2</sup>, and mounting the buckle reverse position.

Know out the cable entry cover by using a screwdriver.

Optional entry

After join the connector to the track, tighten the ground screw firmly.