

Installation Instructions

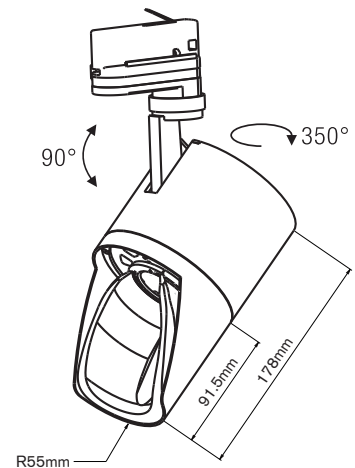
ITEM: MS08TM

DESCRIPTION: Venice Mini Wall Washer

IP
20

NOTICE

1. This fitting requires 220-240V AC/50HZ power input to the driver.
2. Do not interchange any parts of this fitting.
3. A minimum distance of 75mm is required around the fitting to allow for air ventilation.
4. Allow a minimum distance between fitting and illuminated subject of 800mm.
5. Do not touch fitting when in use.
6. Do not cover with any form of heat proof material.
7. If you have any questions about the installation of this product, please contact Mondolux.



INSTALLATION PROCESS

1. Ensure the mains power is turned off.
2. Check that adapter orientation is correct.
3. Press adapter against track.
4. Turn locking lever to lock adapter to track.
5. Power switch adjust to "● OFF" position and then rotate to select circuit to "1 → off → 3 → off → 2" or "2 ← off ← 3 ← off ← 1".
6. Installation is complete.

Note: for surface mounted installation see Monopoint accessory.

